



AGRICULTURAL MECHANIZATION DEVELOPMENT PROGRAM

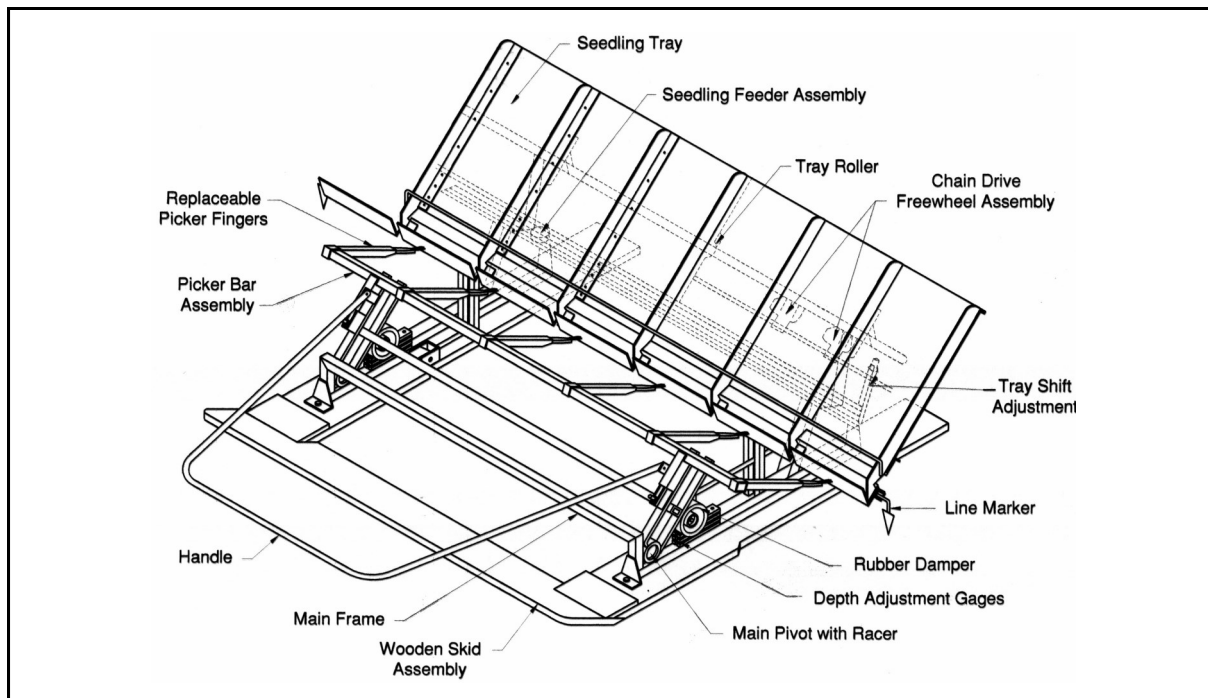
**Institute of Agricultural Engineering
College of Engineering and Agro-Industrial Technology
University of the Philippines Los Baños
College, Laguna, Philippines**

MECHANICAL RICE TRANSPLANTER



For more information, contact:

**The Program Manager
Agricultural Mechanization Development Program
Institute of Agricultural Engineering
College of Engineering and Agro-industrial Technology
University of the Philippines Los Baños
College, 4031 Laguna, Philippines
Tel. No. (049)536-2686, Telefax No: (049)536-3606
Email: amdpu@uplb.edu.ph or amdpu@uplb@gmail.com
Website: <http://iae.uplb.edu.ph/index.php/amdp>**



FEATURES:

- Transplants rice seedlings in rows
- Uses less seedlings
- High field performance
- Easy to operate and maintain
- Low maintenance cost
- Low labor requirement

SPECIFICATIONS:

Type of Machine:	Manually operated
Field Capacity:	0.45-0.55 ha/day
Dimensions:	
Length:	146 cm
Width:	85 cm
Height:	70 cm
Weight:	24 kg
Quality of Planting:	
Row Spacing:	20 cm
Planting Depth:	1-3.5 cm
No. of Seedlings/ hill:	3-5
Seedling Preparation:	Modified dapog nursery, aged 14-20 days
No. of operator required:	Two persons (one operator with one helper)

METHOD OF OPERATION:

The machine transplant rice seedlings in rows. A seedling mat cut exactly into 20.5 cm wide by 40 cm long is used with the transplanter. When planting, the handle is pulled up and pushed down. With each downward stroke, the picker picks a number of seedlings out of the mat and puts them into the mud. At the upward stroke, the transplanter is pulled towards the operator. The free wheel is simultaneously actuated to move the chain. The attached seedling tray then moves horizontally to feed new seedling into the slot. These seedlings would be picked at the next stroke.