



AGRICULTURAL MECHANIZATION DEVELOPMENT PROGRAM

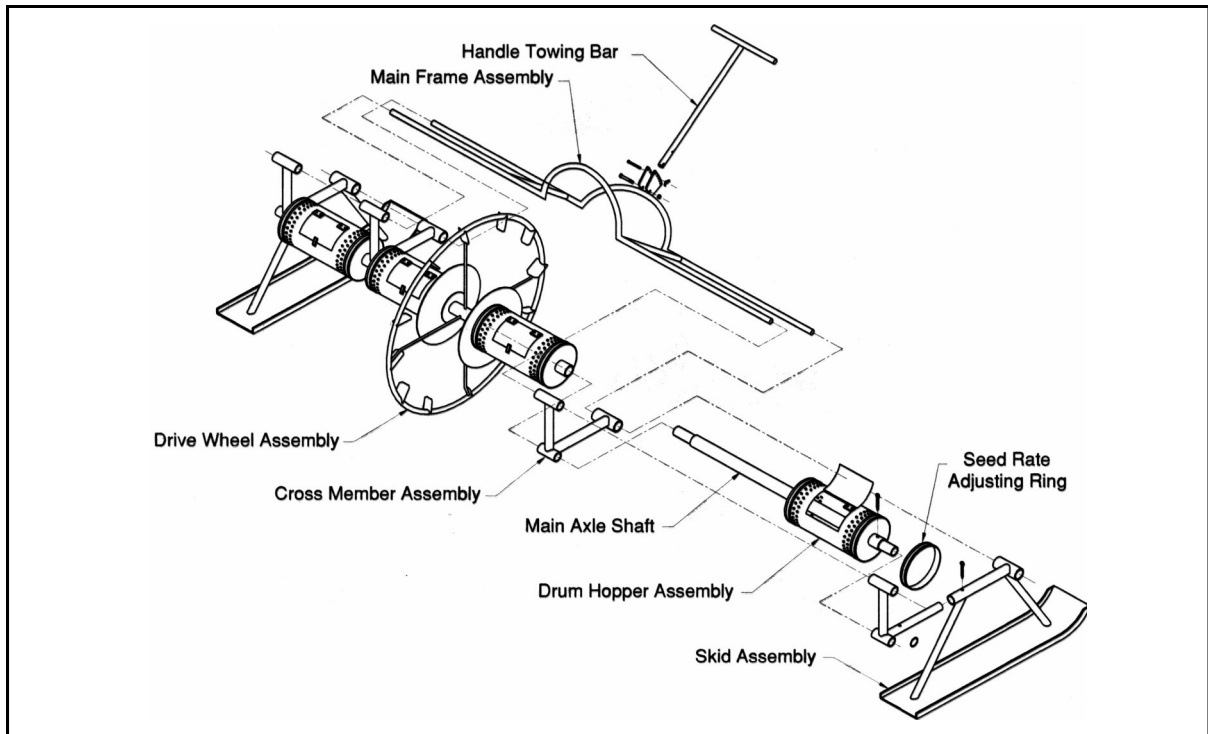
**Institute of Agricultural Engineering
College of Engineering and Agro-Industrial Technology
University of the Philippines Los Baños
College, Laguna, Philippines**

RICE DRUM SEEDER



For more information, contact:

**The Program Manager
Agricultural Mechanization Development Program
Institute of Agricultural Engineering
College of Engineering and Agro-industrial Technology
University of the Philippines Los Baños
College, 4031 Laguna, Philippines
Tel. No. (049)536-2686, Telefax No: (049)536-3606
Email: amdpu@uplb.edu.ph or amdpu@uplb.edu.ph
Website: <http://iae.uplb.edu.ph/index.php/amdp>**



FEATURES:

- Saves seeds compared to broadcasting
- Simple design
- Low power requirement
- Low cost
- Convenient adjustment of seeding rates

SPECIFICATIONS:

Construction:	All metal
Dimensions:	
Length:	193 cm
Width:	76 cm
Height:	86 cm
Weight:	11 kg
Loading Capacity:	8 kg
Seeding capacity /day	1 ha/day
Power Source:	manual
No. of operator required:	one person

METHOD OF OPERATION:

Rice drum seeder is made of light gauge metal tubing. Pre-germinated rice seeds are dispersed uniformly in the field when pulled by operator. It places seeds in straight rows which enables farmers to use a weeder and apply fertilizer easily.